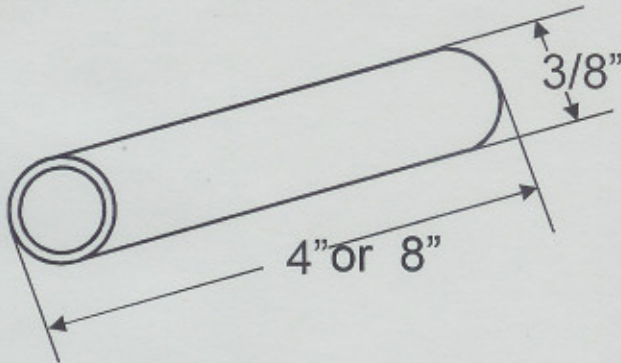


WEEP TUBES



BoMetals, inc. weep tubes shall be placed to insure that they are correctly positioned in the masonry joint to guarantee air movement from the cavity to the outside of the wall. Typical placement would be for the one end of the weep tube to be flush with the outside of the joint and the opposite end to project into the cavity of the wall. Typical locations would be no greater than 24" on center. Care should be taken during mortar placement to prevent excessive movement of the weep tubes to insure against displacement. Always thoroughly and systematically inspect mortar around the weep tubes to make certain that the weep tube is free from obstruc-

PHYSICAL PROPERTIES

Properties	Test Method	Nominal Value
Tensile Yield Strength	ASTM D-638	6,020
Flexural Yield Strength	ASTM D-790	10,410
IZOD Impact Strength	ASTM D-256	16.2
Initial Hardness Shore D	ASTM D-2240	78

PACKAGING

Catalog Number	Length	Box Quantity	Skid Quantity
2035	4"	1,000 ea	36,000 ea
2035	4"	500 ea	36,000 ea
2037	4"	250 ea	36,000 ea
2085	8"	500 ea	36,000 ea

BLOCK CAPS



BoMetals, inc. Block Caps are pre-formed metal inserts that sturdily lock between concrete block voids to stop mortar infiltration.

We package them 200 / bx at 54 boxes per skid.